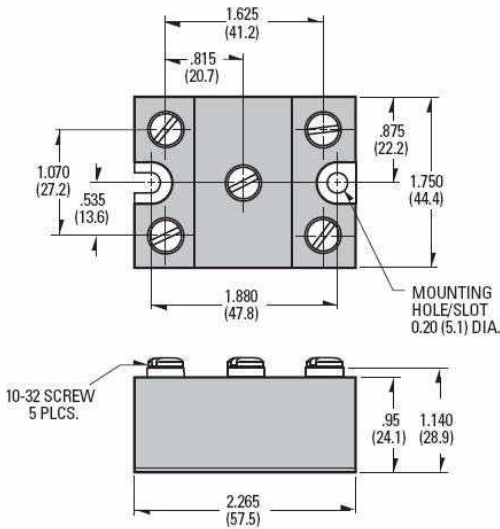
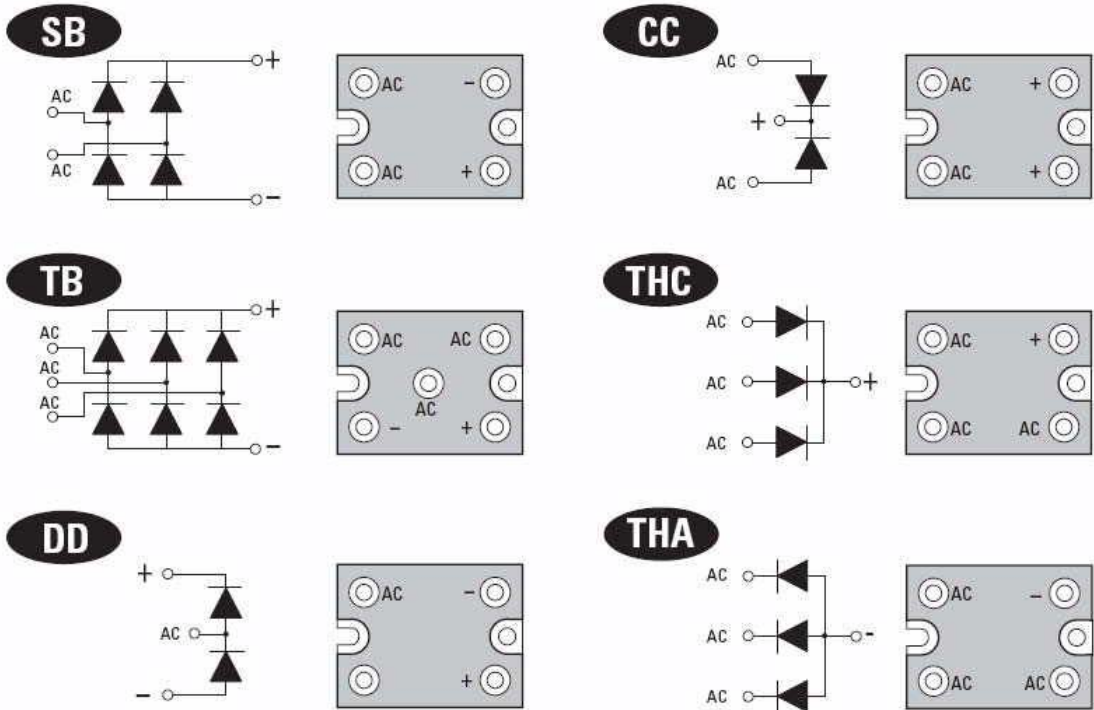


MECHANICAL SPECIFICATIONS



All dimensions are in inches (millimeters)

CIRCUIT DIAGRAMS



AGENCY APPROVALS



Rev 121411